

## Model: NEMA42 Stepper motor-SM110H3P(1.2degree)-3phase



### General Specification:

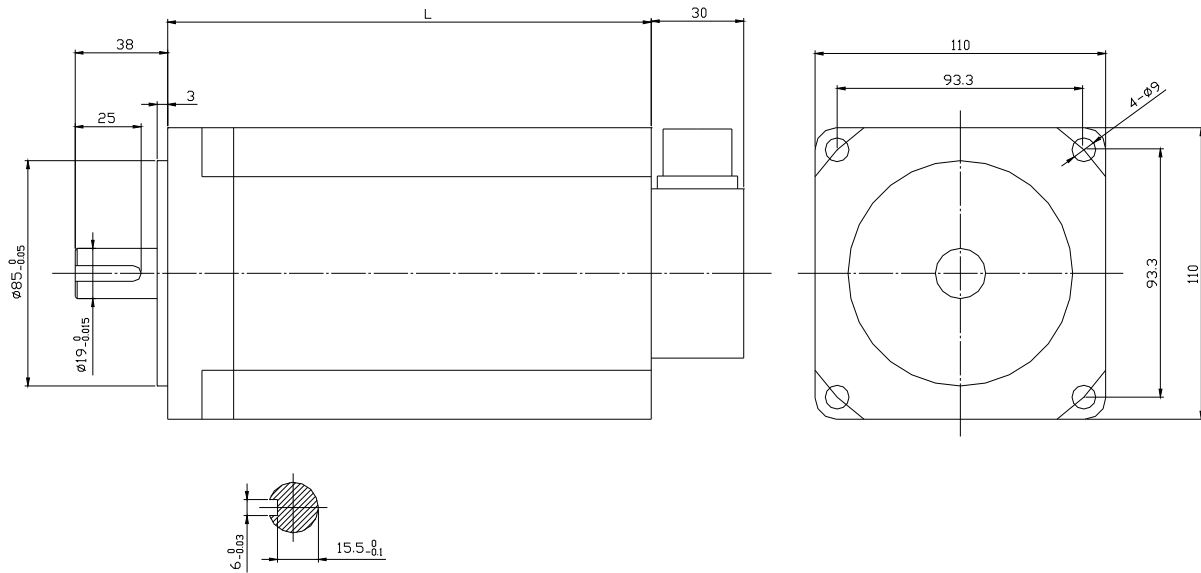
Step Accuracy -----  $\pm 5\%$   
 Resistance Accuracy -----  $\pm 10\%$   
 Inductance Accuracy -----  $\pm 20\%$   
 Temperature Rise ----- 80°C MAX.  
 Ambient Temperature Range ----- -20°C~ +50°C  
 Storage Temperature Range ----- -30°C~ +60°C  
 Insulation Resistance ----- 100M  $\Omega$  MIN. 500V DC  
 Dielectric Strength ----- 1800VAC for 1S 5mA  
 Radial Play ----- 0.02mm MAX. (450g Load)  
 End Play ----- 0.08mm MAX. (450g Load)  
 Max. radial force ----- 220N  
 Max. axial force ----- 60N

### Electrical Specification:

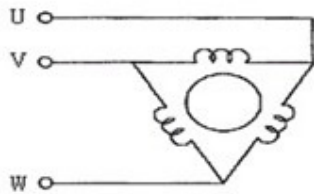
Model No.	Angle	Motor Length	Current /Phase	Resistance /Phase	Inductance /Phase	Holding Torque	Motor Length
	( ° )	(L)mm	A	$\Omega$	mH	N.m	Kg
SM110H3P-3008	1.2	102	3	3.15	17	8	5
SM110H3P-3013	1.2	132	3	4.2	22.6	13	6.6
SM110H3P-5016	1.2	183	5	2.14	17.5	16	9
SM110H3P-5020	1.2	220	5	2.4	24.4	20	11.1
SM110H3P-5025	1.2	250	5	2.9	27	25	13

\***Note:** We can also manufacture products according to customer's requirements.

### Dimensions: (Unit=mm)



### Wiring Diagram:



1	2	3	4
U	V	W	Ground